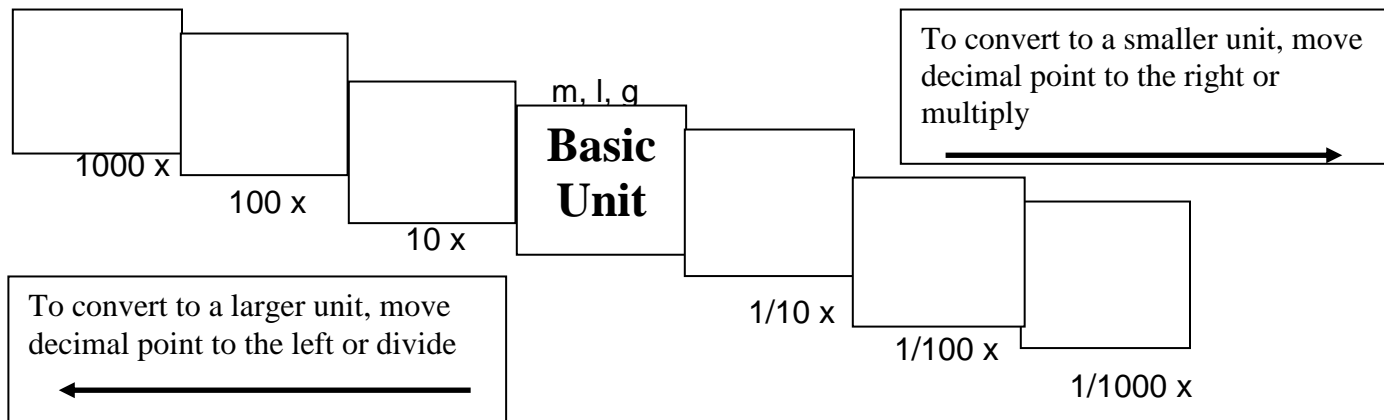


Dougherty Valley HS Chemistry
Metric Mania
Conversion Practice

Name: _____
Date: _____
Period: _____



Try these conversions, using the ladder method:

1000 mg = _____ g

1 L = _____ ml

160 cm = _____ mm

14 km = _____ m

109 g = _____ kg

250 m = _____ km

Compare using <, >, or =

56 cm ○ 6 m

7 g ○ 698 mg

Conversion Challenge

Write the correct abbreviation for each metric unit

1. Kilogram _____
2. Meter _____
3. Gram _____
4. Milliliter _____
5. Millimeter _____
6. Liter _____
7. Kilometer _____
8. Centimeter _____
9. Milligram _____

Try these conversions, using the ladder method of conventional method

1. 2000 mg = _____ g
2. 104 km = _____ m
3. 480 cm = _____ m
4. 5.6 kg = _____ g
5. 8 mm = _____ cm
6. 5 L = _____ mL
7. 198 g = _____ kg
8. 75 mL = _____ L
9. 50 cm = _____ m
10. 5.6 m = _____ cm
11. 16 cm = _____ mm
12. 2500 m = _____ km
13. 65 g = _____ mg
14. 6.3 cm = _____ mm
15. 120 mg = _____ g

Compare using <, >, or =

16. 63 cm 6 m
17. 5 g 508 mg
18. 1,500 mL 1.5 L
19. 536 cm 53.6 dm
20. 43 mg 5 g
21. 3.6 m 36 cm